

**JUNIOR TIMER VALVE PLUG 90°**

PUR 2x0,75 black 5m

Female 90°

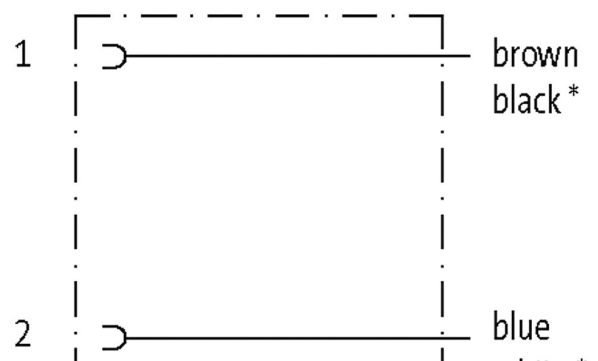
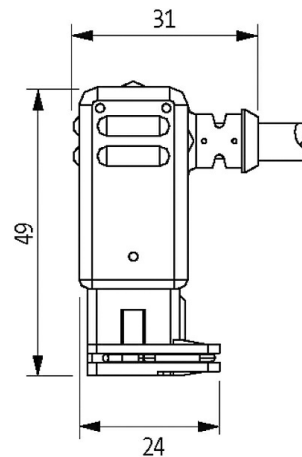
0...230 V AC/DC

without components

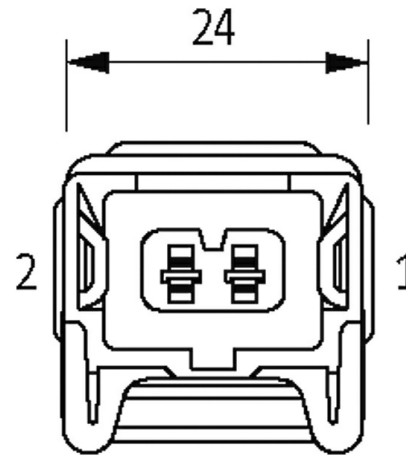
Plastic housings with good resistance against chemicals and oils.

The resistance to aggressive media should be individually tested for your application. Further details on request.

Further cable lengths on request.

**[Link to Product](#)****Illustration**

┌──────────────────┐ white  
\* for cable type (740)



Product may differ from Image

#### Form

Form 70301

#### General data

Temperature range -25...+85 °C, depending on cable quality

#### Cables

|                            |   |
|----------------------------|---|
| Cable number               | 750                                     |
| No./diameter of wires      | 2 × 0.75 mm <sup>2</sup>                |
| Wire isolation             | PVC (br, bl)                            |
| Jacket Color               | black                                   |
| Material (jacket)          | PUR/PVC                                 |
| Outer Ø                    | 5.9 mm ±5%                              |
| Bend radius (moving)       | 15 × outer Ø                            |
| Temperature range (fixed)  | -40...+80 °C                            |
| Temperature range (mobile) | -5...+80 °C                             |
| Cable identification       | 750                                     |
| Approval (cable)           | CE conform                              |
| Cable weight [g/m]         | 48,40                                   |
| Material (wire)            | Cu wire, bare                           |
| Resistor (core)            | max. 26 Ω/km (20 °C)                    |
| Single wire Ø (core)       | 0.2 mm                                  |
| Construction (core)        | 24 × 0.2 mm (multi-strand wire class 5) |
| Diameter (core)            | 2 × 0.75 mm <sup>2</sup>                |
| AWG                        | similar to AWG 18                       |
| Material (wire isolation)  | PVC                                     |
| Color/numbering of wires   | br, bl                                  |
| Stranding combination      | 2 wires twisted                         |
| Shield                     | no                                      |
| Material (jacket)          | PUR/PVC                                 |
| Outer-Ø (jacket)           | 5.9 mm ±5%                              |
| Color (jacket)             | black                                   |

|                            |  |
|----------------------------|--|
| chemical resistance        | good resistance to oil, gasoline and chemicals |
| Nominal voltage            | 300 V AC                                       |
| Test voltage               | 2000 V AC                                      |
| Temperature range (fixed)  | -40...+80 °C                                   |
| Temperature range (mobile) | -5...+80 °C                                    |
| Bend radius (moving)       | 15× outer Ø                                    |

**Technical Data**

|                               |  |
|-------------------------------|--|
| Operating voltage             | 0...230 V AC/DC                        |
| Operating current per contact | max. 4 A                               |
| Housing                       | Black plastic, flame retardant         |
| Protection                    | IP65 inserted and tightened (EN 60529) |
| Rated surge voltage           | 4.0 kV                                 |

**Commercial data**

|                       |               |
|-----------------------|---------------|
| country of origin     | DE            |
| customs tariff number | 85444290      |
| EAN                   | 4048879285902 |
| eClass                | 27279218      |
| Packaging unit        | 1             |